



OPTI-Solar

Solar Hybrid Inverter SP Series

&

SP UPS

User Manual

This manual includes 2 sections.

Section1 is for *Solar Hybrid Inverter SP Series*; and section 2 is for *SP UPS*. Please refer to the section depending on what model you bought.

OPTI-Solar




(Section 1)

Solar Hybrid Inverter SP Series Manual

I	PREFACE.....	5
	1-1 Conventions Used.....	5
	1-2 Glossary.....	5
II	INTRODUCTION	5
	2-1 Description.....	5
	2-2 Features.....	6
	2-3 Appearance	6
	2-3-1 Front Panel	6
	2-3-2 Outline.....	8
III	INSTALLATION	13
	3-1 Safety.....	13
	3-1-1 Positioning.....	13
	3-1-2 Transporting	13
	3-1-3 Installation.....	14
	3-1-4 Operation.....	14
	3-1-5 Maintenance and Service	14
	3-2 Mounting	15
	3-3 Wiring.....	16
	3-3-1 Inspection	16
	3-3-2 Connection	16
IV	OPERATION	20
	4-1 Prior to Startup.....	20
	4-2 Operations Procedures.....	20
	4-3 Operation Modes	20
	4-3-1 System Block Diagram.....	20
	4-3-2 Normal Operation.....	21
	4-3-3 AC Utility Failure at Night.....	21
V	STATUS MONITORING.....	22
VI	APPENDIX.....	26
	6-1 Specification.....	26
	6-2 Trouble Shooting	32

I PREFACE

1-1 Conventions Used

	WARNING	Warnings identify conditions that could cause personal injury or loss of life.
	CAUTION	Cautions identify conditions that could cause damage to the unit, other equipment or devices.
	WARNING: BURN HAZARD	Keep away from unit because of burn hazard resulting from high temperature during operation.
	WARNING: RISK OF ELECTRIC SHOCK	Risk of electric shock caused by energy stored in capacitors. Capacitors take time to discharge after cutting off all power sources.

1-2 Glossary

AC: Alternating Current

DC: Direct Current

LCD: Liquid Crystal Display

LED: Light Emitting Diode

PC: Personal Computer

PV: Photovoltaic

SNMP: Simple Network Management Protocol

II INTRODUCTION

2-1 Description

The Solar SP series is designed to have access to dual input source; one is AC source from a grid, and the other is DC source from a solar array.

This series is a powerful all-in-one solution, not only delivering unsurpassed clean true sine wave output power and combining this with a selectable multistage battery charging current but also converting sunlight into clean energy. This series features durable and continuous 24-hour operation. Consequently, it is applicable to any kind of loads such as air conditioner, home appliances, consumer electronic and office equipment.

The built-in 5-stage intelligent charger automatically charges any type of batteries without the risk of overcharge. The compact and modular design makes utility interactive installations easier and more cost effective. It is a high quality product that

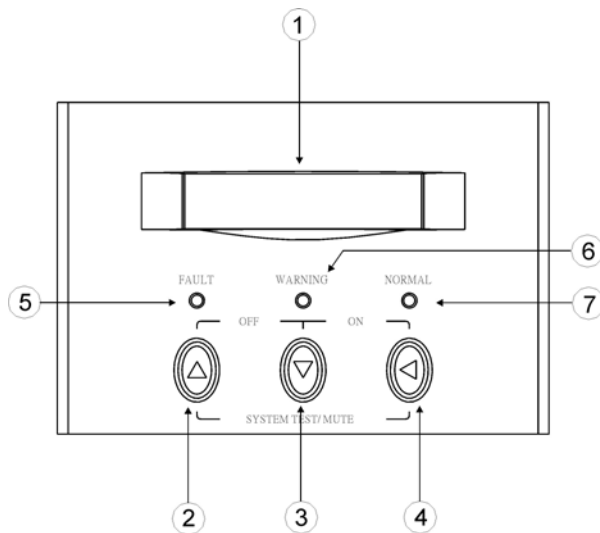
offers the best price-performance ratio in the industry.

2-2 Features

1. Multiple microprocessor design base
2. Compatible with both linear and non-linear load
3. Stronger charger to support batteries of up to 600AH
4. 24-hour inverter operation
5. DC start and automatic self-diagnostic function
6. THD less than 3%
7. High efficiency design to save electricity
8. Low heat dissipation in extended operation
9. Designed to operate under harsh environment
10. 3U 19" rack mount or wall-mounted design
11. Solar power charger with maximum 50A from an array
12. Detachable front panel

2-3 Appearance

2-3-1 Front Panel



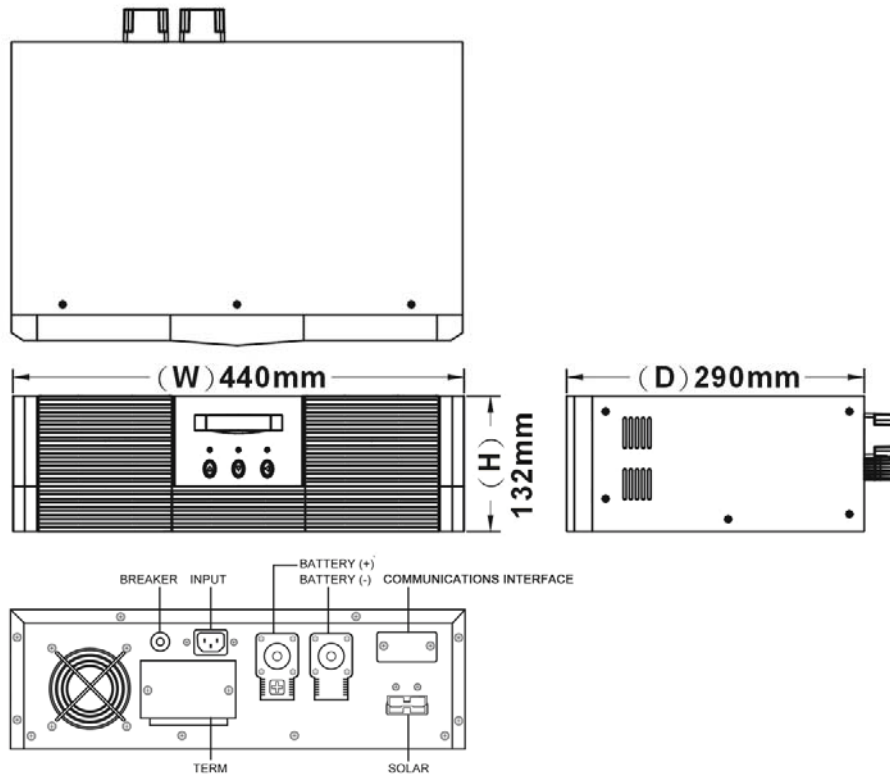
1. LCD: This indicates the Solar SP operation information, including the Solar SP status, input/output voltage, input/output frequency, battery voltage, battery capacity left, output load, inside temperature, and the times of history events.
2. Up-key: Use to select upward the Solar SP status on LCD.
3. Down-key: Use to select downward the Solar SP status on LCD. Beside, press it simultaneously with the Up-key to switch off the Solar SP.
4. Enter-Key: It is pressed with the Down-key to turn on the Solar SP. In battery operation mode, press it with Up-key at the same time to disable the buzzer. Beside, it is pressed to confirm and enter the item selected.
5. Fault LED (red): Indicates the Solar SP is in fault condition because of inverter shutdown or over-temperature.

6. Warning LED (yellow): Indicates the Solar SP is in the status of overload, bypass and battery back-up.
7. Normal LED (green): Indicates the Solar SP is operating normally.
8. ON/TEST/MUTE key: It should be pressed with the control key simultaneously to switch on Solar SP, do the Solar SP auto-test in normal AC mode and turn off the buzzer in battery operation.

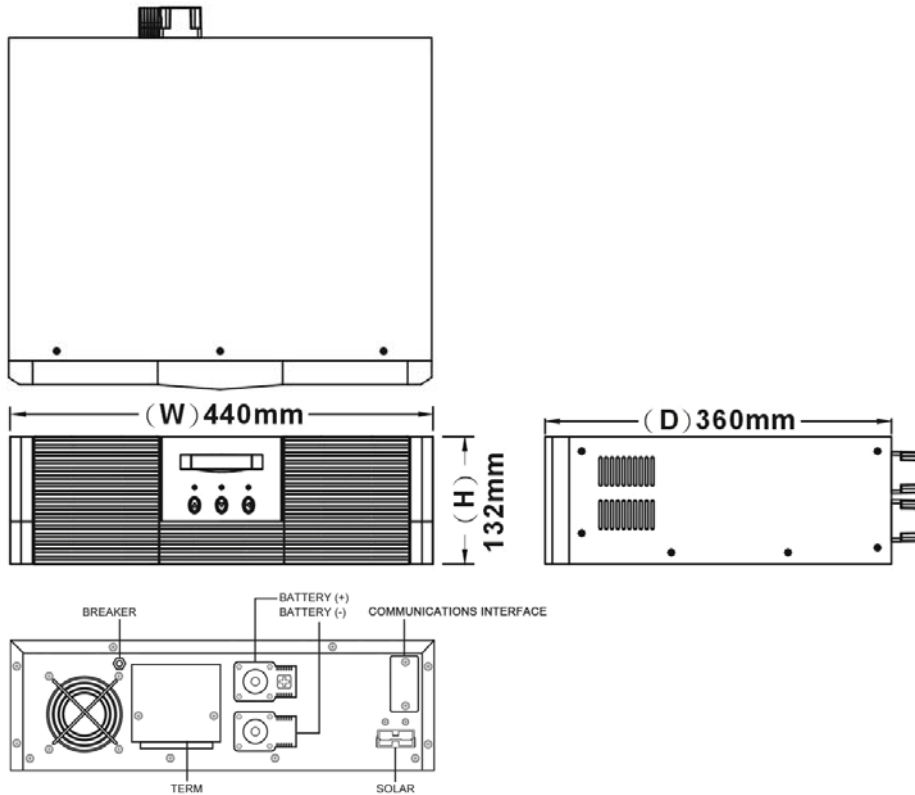
2-3-2 Outline

Rack Mount Type

[1.2KVA]

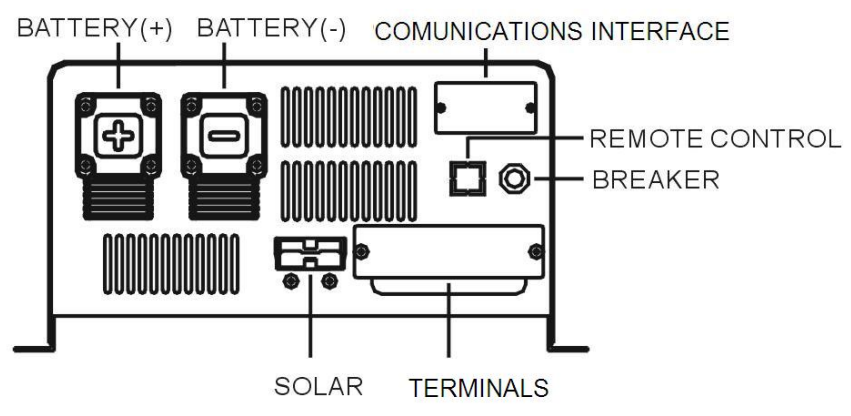
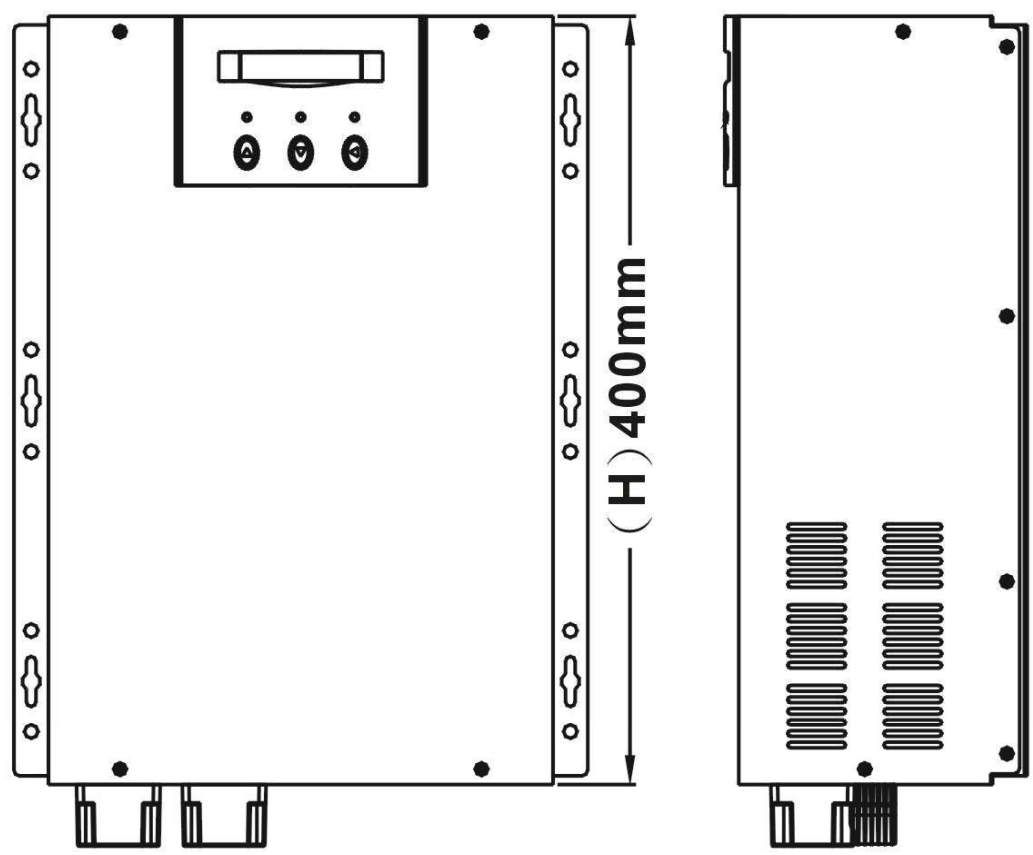
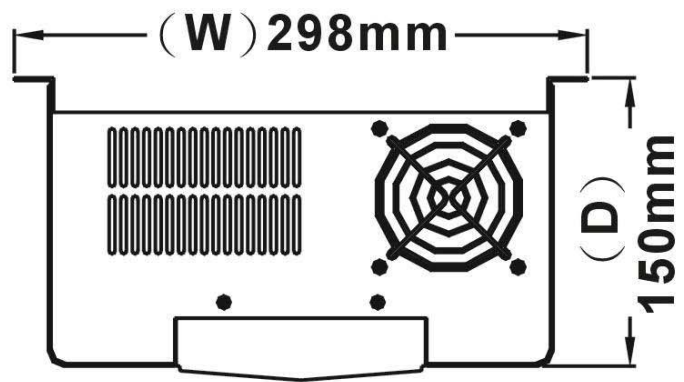


[2.4KVA/ 3.6KVA]

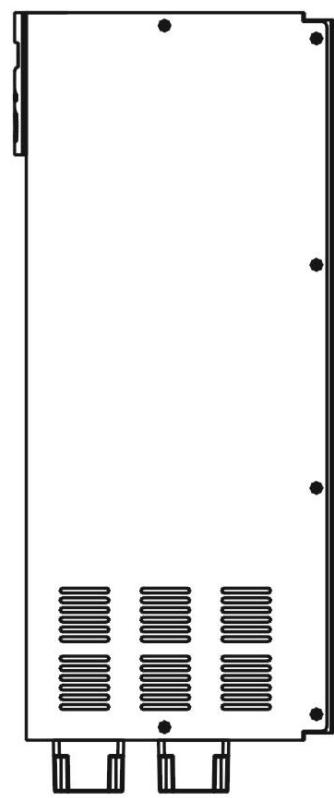
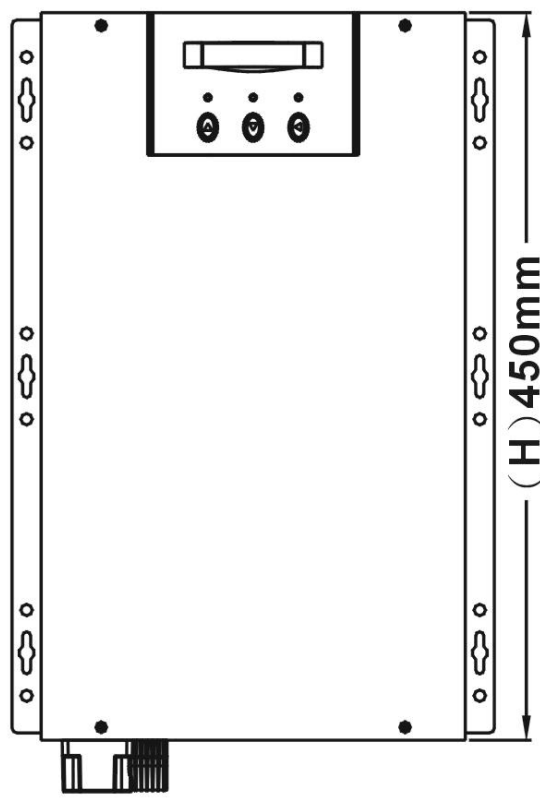
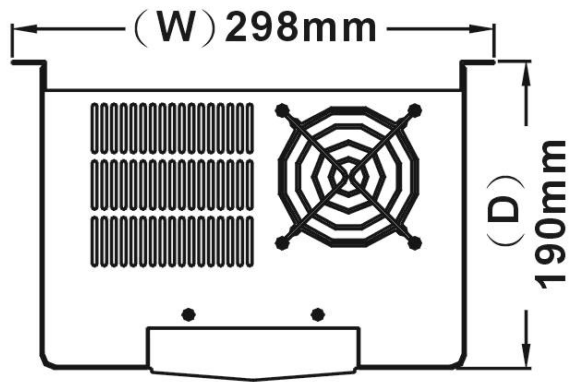


Wall Mounted Type

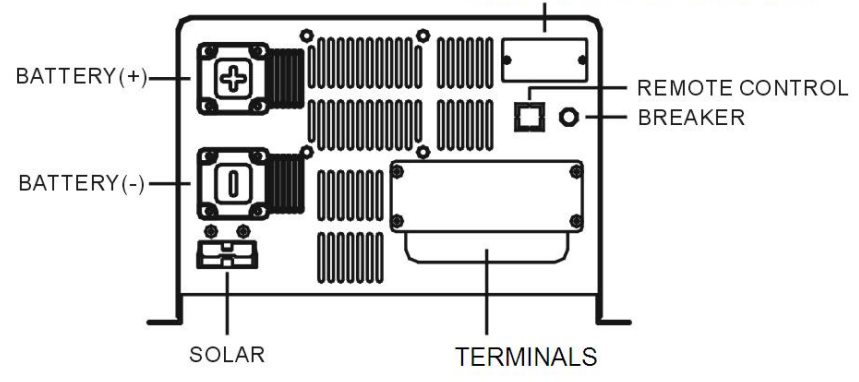
[1.2KVA]



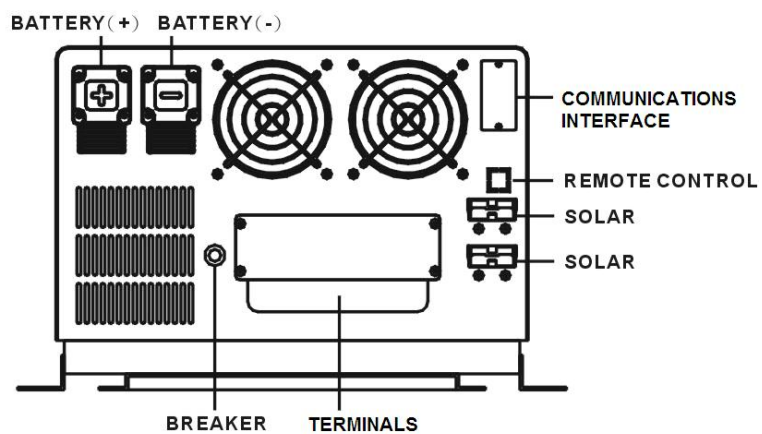
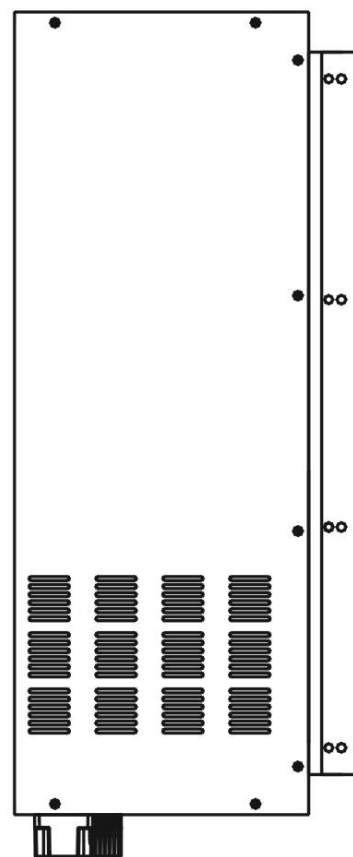
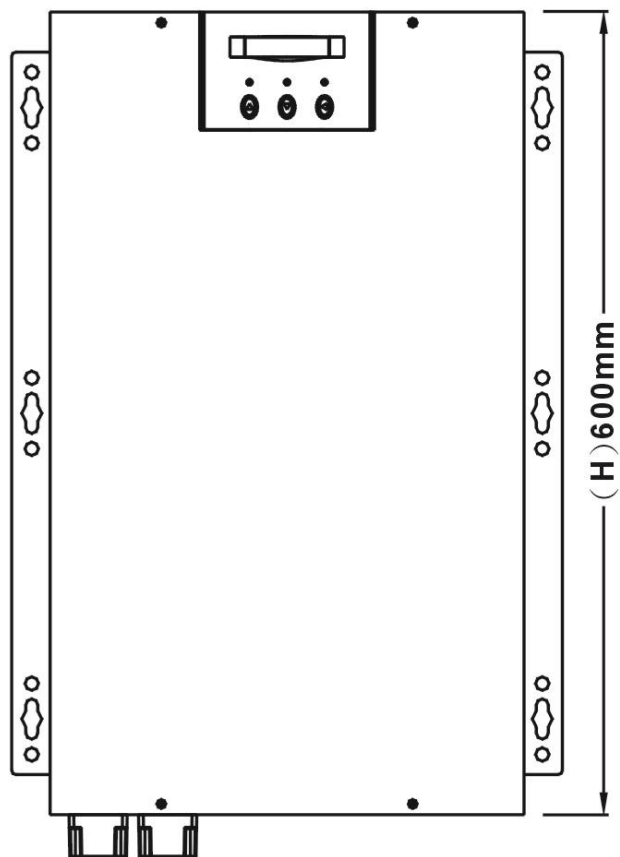
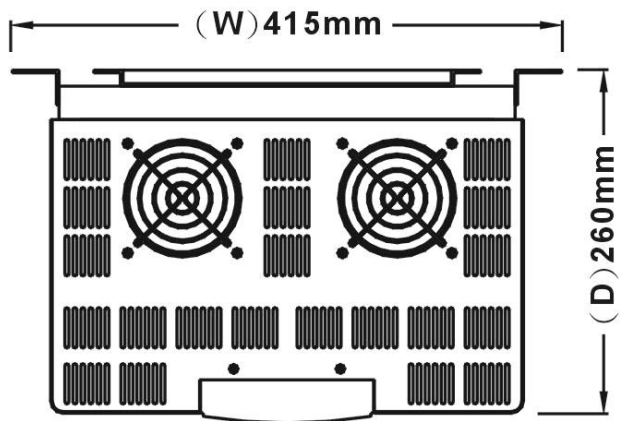
[2.4KVA /3.6KVA]



COMMUNICATIONS INTERFACE



[5KVA/ 6KVA/ 8KVA]




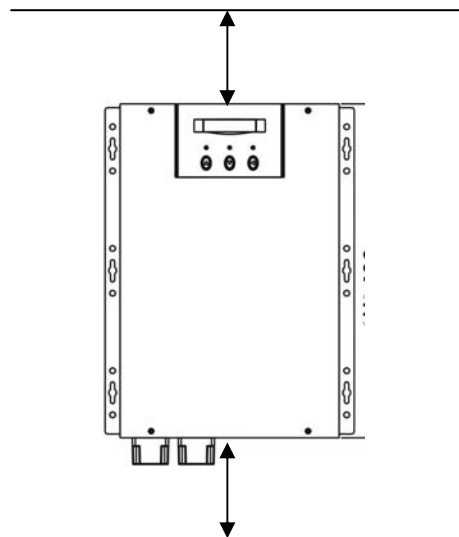
III INSTALLATION

3-1 Safety

3-1-1 Positioning

1. Do not put the Solar SP on rugged or declined surface.
2. Do not install the Solar SP system near water or in damp environments.
3. Do not install the Solar SP system where it will be exposed to direct sunlight or heat.
4. Do not block ventilation openings in the Solar SP system's housing and don't leave objects on top of the Solar SP.
5. Keep the Solar SP far away from heat emitting sources.
6. Do not expose it to corrosive gas.
7. Ambient temperature: 0°C - 40°C
8. Do not position the Solar SP upside down.
9. Do not position the Solar SP where debris such as dust, easily accumulate.

10.  The Solar SP should be positioned indoors where people can not touch it accidentally because of potential skin burns caused from high operating temperatures.
11. The Solar SP requires at least 30 cm of clearance in between the top and the bottom for heat dissipation.



3-1-2 Transporting

1. Disconnect all power cables if necessary.
2. Be careful not to damage the Solar SP while transporting.
3. Don't move the Solar SP upside down.
4. Please transport the Solar SP system only in the original packaging (to protect

against shock and impact).

3-1-3 Installation



1. Connect the Solar SP system only to a grounded shockproof wiring system to avoid electric shocks resulting from current leakage.
2. Place cables in such a way that no one can step on or trip over them.
3. Keep wire lengths between the array and the Solar SP as short as possible to minimize copper losses.
4. The installation must be done by qualified personnel.

3-1-4 Operation



1. Do not disconnect the main cable on the Solar SP system or the building wiring socket outlet during operation. This would cancel the protective grounding of the Solar SP system and of all connected loads.
2. The Solar SP has its own internal power source (batteries). The output terminals may be live even when the Solar SP is not connected to the AC supply.
3. Ensure that no fluids or other foreign objects enter the Solar SP system.
4. Disconnect input power in rear panel if you will not use it for long period. If the Solar SP is stored over 3 months, please supply power to the Solar SP for at least 24 hours to ensure battery fully recharged.

3-1-5 Maintenance and Service



1. Caution - risk of electric shock.

Even after the unit is disconnected from the main power supply (building wiring socket outlet), components inside the Solar SP system are still connected to the battery and are still electrically live and dangerous. Before carrying out any kind of servicing and/or maintenance, disconnect the batteries and verify that no current is present.

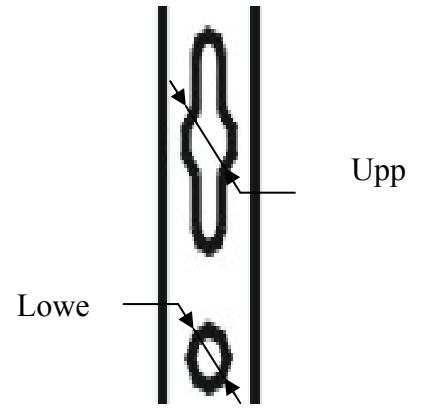


2. Batteries may cause electric shock and have a high short-circuit current. Please take the precautionary measures specified below and any other measures necessary when working with batteries:
 - remove wristwatches, rings and other metal objects
 - use only tools with insulated grips and handles.

3-2 Mounting

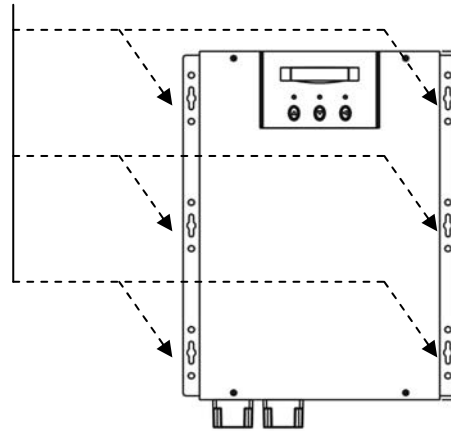
1. Make sure a wall surface or a solid place can support the Solar SP.
2. Mark the bracket hole positions of the Solar SP on the wall.

Hole Diameter	SP1200~SP3600	SP5000~SP8000
Upper Hole	9.5mm	15mm
Lower Hole	7mm	10mm



3. Use a screw driver to fix the Solar SP.
4. If more holes are required to be drilled on the bracket, make sure no metal shavings are left inside the Solar SP. It could result in a short circuit when the Solar SP is operating.

Bracket Holes



3-3 Wiring

3-3-1 Inspection

1. The system may be installed and wired only by qualified electricians in accordance with applicable safety regulations.
2. When installing the electrical wiring, please note the nominal amperage of your incoming feeder.
3. Inspect the packaging carton and its contents for damage. Please inform the transport agency immediately should you find signs of damage. Please keep the packaging in a safe place for future use.
4. Please ensure that the incoming feeder is isolated and secured to prevent it from being switched back on again.

3-3-2 Connection

1. Grounding

-AC and DC Grounding: The Solar SP has to be connected to a grounded permanent wiring system; and the array has to be grounded as well. AC and DC are separately grounded.

2. AC Input/ Output Terminals:

-Utility (Input):

Recommend AC wire size:

Capacity \ Input voltage	110/ 120V	220/ 230V
1.2KVA	3.5mm ² *3C	3.5mm ² *3C
2.4KVA	3.5mm ² *3C	3.5mm ² *3C
3.6KVA	5.5mm ² *3C	3.5mm ² *3C
5.0KVA	14mm ² *3C	5.5mm ² *3C
6.0KVA	22mm ² *3C	8mm ² *3C
8.0KVA	NA	14mm ² *3C

-Load (Output):


Recommend AC wire size:

Capacity \ Input voltage	110/ 120V	220/ 230V
1.2KVA	3.5mm ² *3C	3.5mm ² *3C
2.4KVA	3.5mm ² *3C	3.5mm ² *3C
3.6KVA	5.5mm ² *3C	3.5mm ² *3C
5.0KVA	8mm ² *3C	3.5mm ² *3C
6.0KVA	22mm ² *3C	5.5mm ² *3C
8.0KVA	NA	8mm ² *3C

P.S.: 3C means there are 3 lines representing L, N and G inside a power cord/ cable.


3. DC Input Terminals


- Array (Input):

- *  Make sure the open circuit voltage (Voc) of the PV array is less than the DC maximum charge voltage (See 6-1 Specification) and the short circuit current (Isc) is less than DC maximum charge current (50A).

Recommend DC wire size:

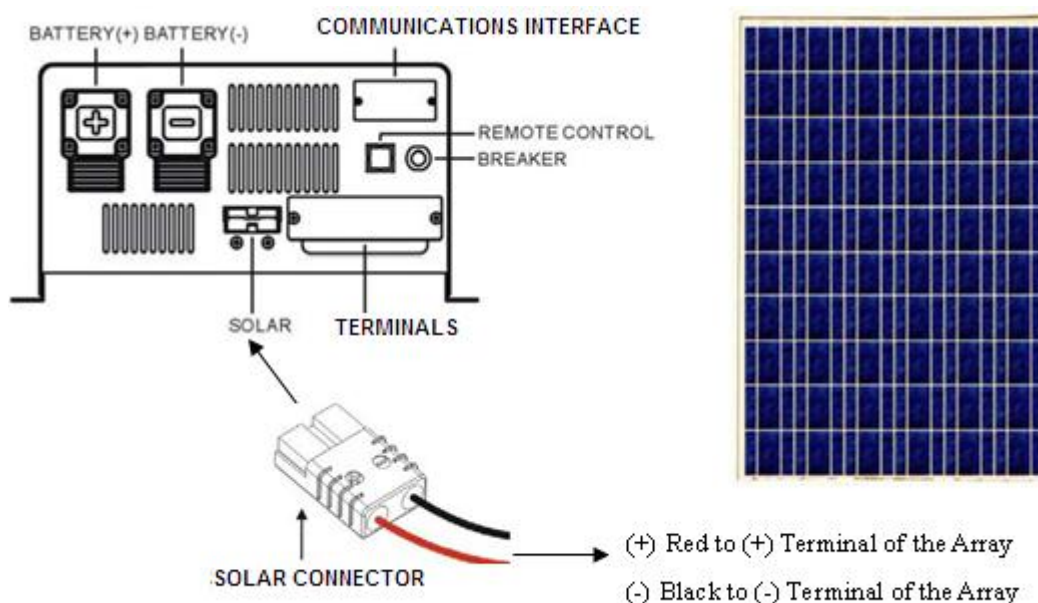
Capacity	Size
1.2KVA	5.5mm ² (10AWG)
2.4KVA	5.5mm ² (10AWG)
3.6KVA	5.5mm ² (10AWG)
5.0KVA	5.5mm ² (10AWG)
6.0KVA	5.5mm ² (10AWG)
8.0KVA	5.5mm ² (10AWG)

- *  Make sure the electric polarity is correct when connecting DC terminals. Incorrect electric polar connection will damage the Solar SP!

- *  Whenever a PV array is exposed to sunlight, it converts sunlight into electric power and results in shock hazard at its output wires and terminals. To avoid the risk of shock, cover the array with an opaque material before any wiring connections.

- Solar Connector (Input Media)

- * Solar connector is affixed 2 cables with Tyco terminals compatible with output terminals of a module's junction box.



4. Built-in Fuses/ Breakers

Between Battery and Solar SP:

Model	Fuse
1.2KVA	20A/32VDC * 6pcs
2.4KVA	20A/32VDC * 6pcs
3.6KVA	30A/32VDC * 6pcs
5.0KVA	20A/32VDC * 16pcs
6.0KVA	20A/32VDC * 10pcs
8.0KVA	20A/32VDC * 16pcs

Between Solar Array and Battery:

Model	Fuse
1.2KVA	30A/32VDC * 2pcs
2.4KVA	30A/32VDC * 2pcs
3.6KVA	30A/32VDC * 2pcs
5.0KVA	30A/32VDC * 2pcs
6.0KVA	30A/32VDC * 2pcs
8.0KVA	30A/32VDC * 2pcs

Between the Solar SP and the AC Load:

Capacity \ Input voltage	110/ 120V	220/ 230V
1.2KVA	15A / 250Vac	8A / 250Vac
2.4KVA	30A / 250Vac	20A / 250Vac
3.6KVA	40A / 250Vac	20A / 250Vac
5.0KVA	60A / 250Vac	30A / 250Vac
6.0KVA	60A / 250Vac	40A / 250Vac
8.0KVA	NA	40A / 250Vac

5. Communication (as Communications Interface shown on photos) and Remote Control

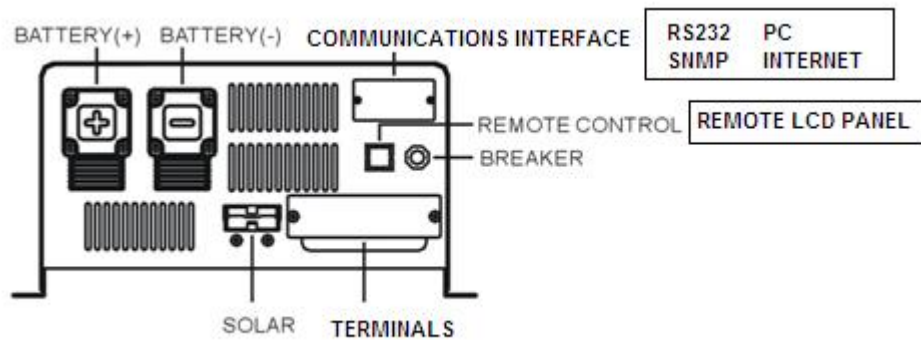
The Solar SP could be monitored on a PC via RS232 connection within 10 meters or a on the Internet via a SNMP card.

The remote control slot is for distant connection by connecting it to the detached LCD panel with an internet cable (RJ45).

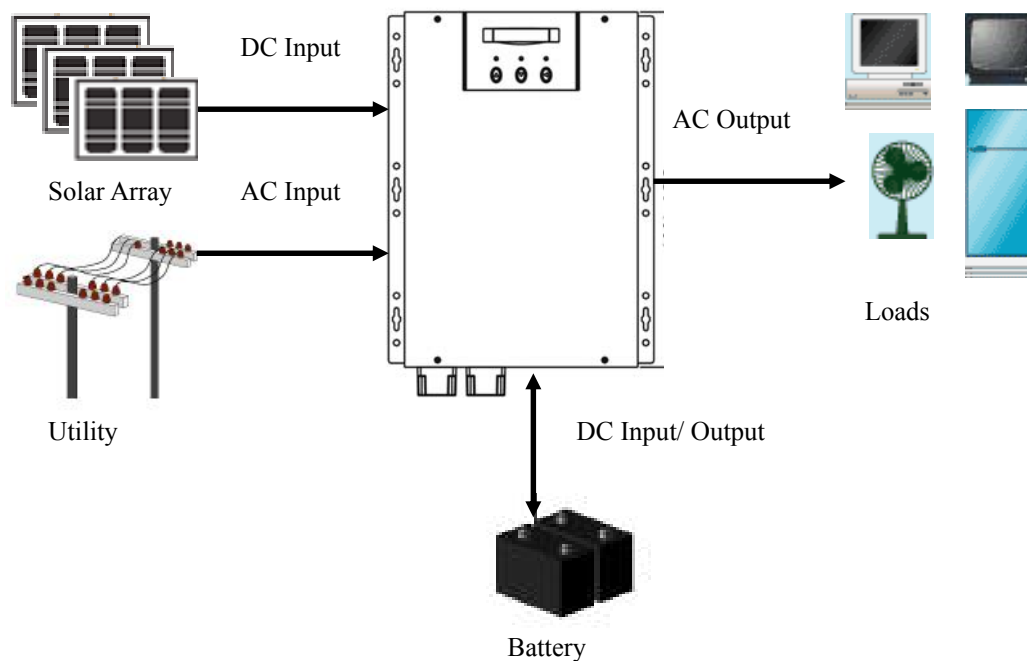
6. Battery: Connect the battery's terminals to the terminals for the battery of the Solar SP and make sure of the correct connection of the electric polarity.

Recommend AC wire size:

Model	Size
1.2KVA	22mm ²
2.4KVA	22mm ²
3.6KVA	38mm ²
5.0KVA	80mm ²
6.0KVA	60mm ²
8.0KVA	80mm ²



7. Complete Schematic Diagram



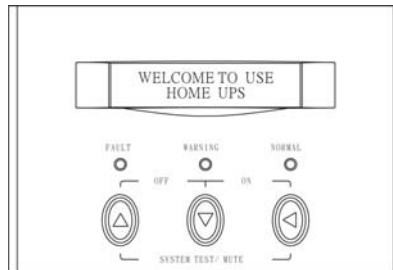
IV OPERATION

4-1 Prior to Startup

1. Ensure the Solar SP is in a suitable position.
2. Check that input cord is secured.
3. Make sure the load is disconnected or in the “OFF” position.
4. Check if input voltage meets the Solar SP rating required.
5. Get batteries and AC cables connected before starting the Solar SP.

4-2 Operations Procedures

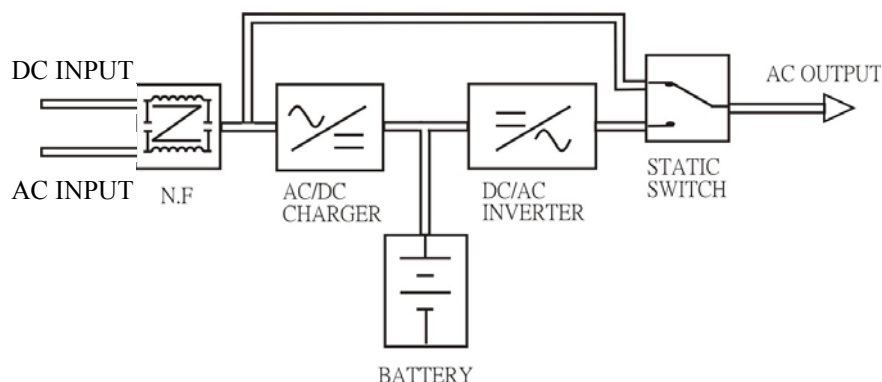
1. Once the AC source is connected, the LCD will light up immediately to display first the main menu of greeting context and then the Normal LED will begin blinking to indicate ready to switch on the inverter.



2. By pressing the Enter-key and the Down-key simultaneously for 3 seconds, the Solar SP will start up after two beeps. Normal LED illuminates to indicate power is from its inverter to the load.
3. When the Down-key and the Up-key are pressed simultaneously for 3 seconds, the inverter will be turned off after two beeps. The Solar SP is on standby status (LCD illuminates and Normal LED is blinking) until AC source is disconnected.

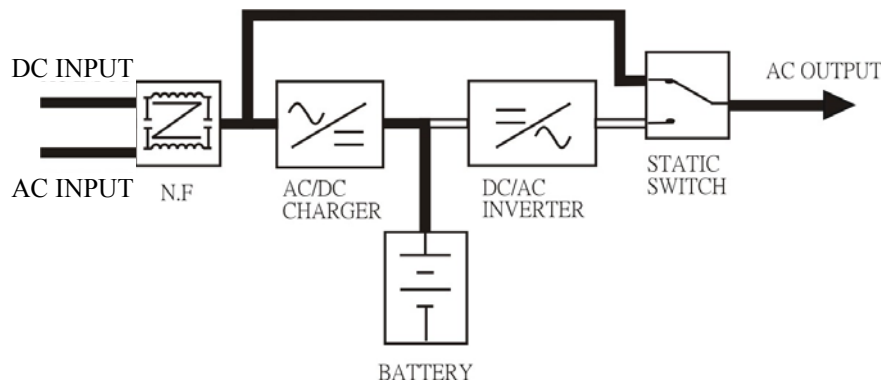
4-3 Operation Modes

4-3-1 System Block Diagram



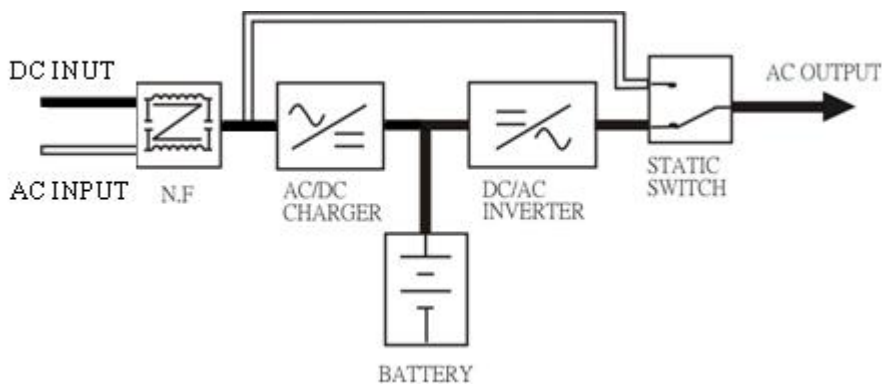
4-3-2 Normal Operation

There are two main loops when AC utility is normal and DC electricity is generated from solar array under sufficient sunlight: the AC loop and the battery charging loop. The AC output power comes from AC utility input and passes through the static switch to support power to load. The battery charging voltage comes from AC utility input and is converted by AC/DC charger to support battery-charging power.



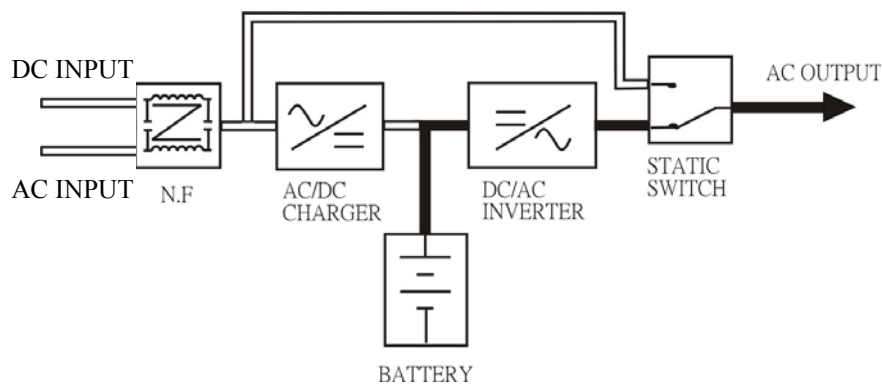
4-3-3 AC Utility Failure at Daytime

The AC output comes from DC input from solar array through DC/AC inverter when the AC utility fails at daytime.



4-3-4 AC Utility Failure at Night

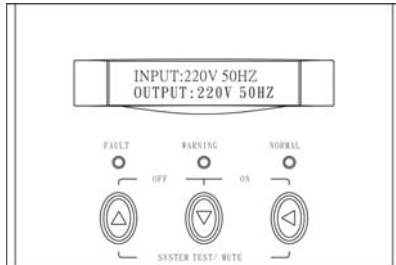
The AC output comes from battery, passing through DC/AC inverter and static switch within during the battery backup time.



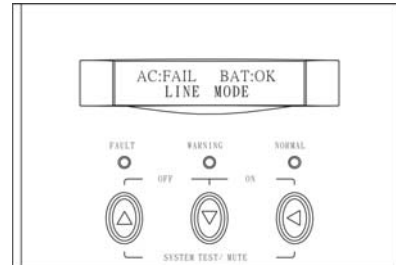
V STATUS MONITORING

Use Up/Down key to select menu-displays of the LCD described below. This screen will refresh once the system power is enabled.

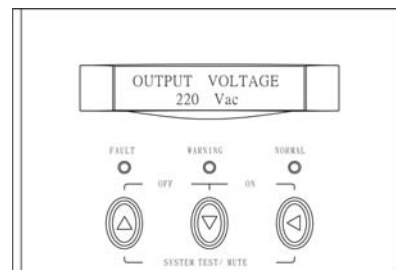
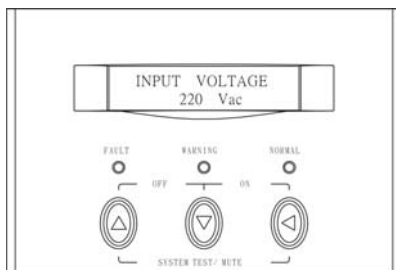
Rated Spec



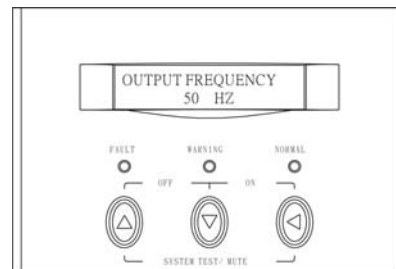
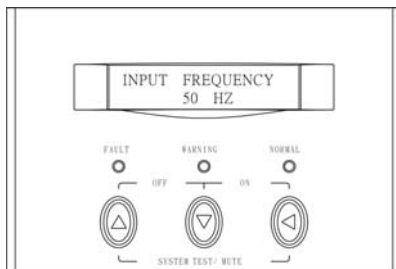
Status



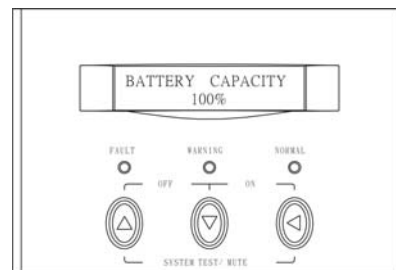
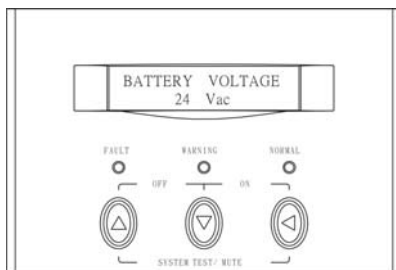
Voltage



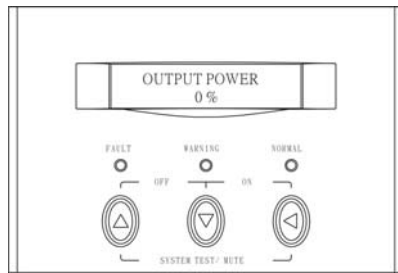
Frequency



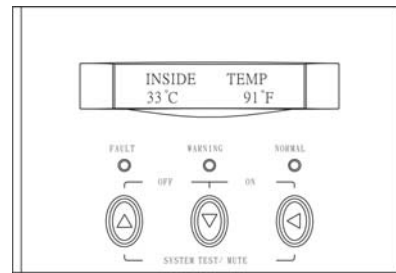
Battery Status



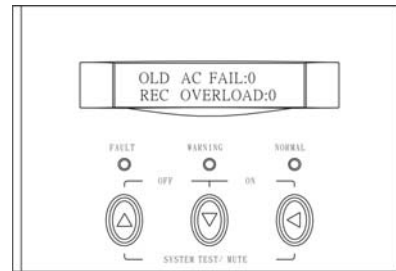
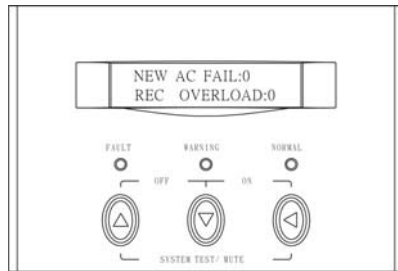
Output Power



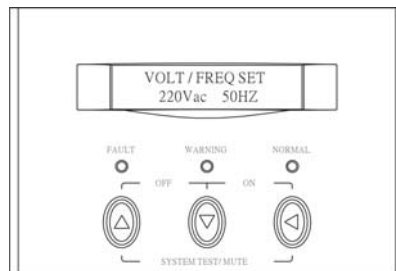
Temperature



History Record



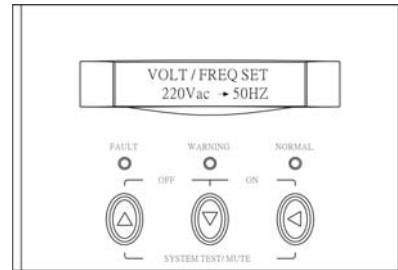
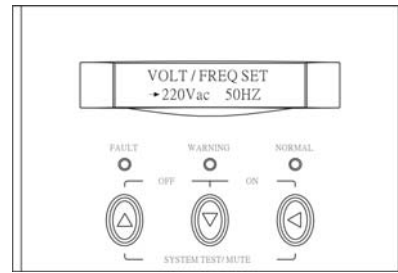
Output Voltage & Frequency Adjust
A. In this screen, press Enter-key to enter the following steps for output voltage and frequency adjustment.



B. The cursor (→) will pop up to indicate the output voltage and frequency newly selected.

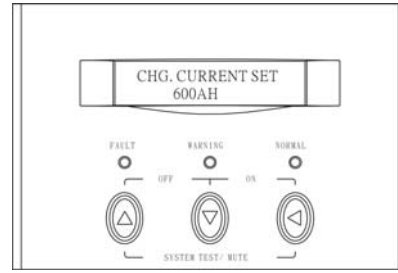
C. Use Up or Down-key to adjust the output voltage (if 230V configure, 220V, 230V, and 240V is selectable; if 120V configure, 110V, 115V, and 120V is selectable). Press Enter-key to confirm voltage and then the cursor will move to frequency selection. The output frequency (50Hz or 60Hz) can be adjusted by the same key operation.

D. Once the correct voltage is selected, press Enter-key again to save the selection.

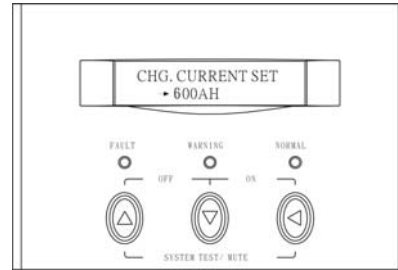


Charging Current Adjust

A. In this screen, press Enter-key to enter the following steps for general battery AH adjustment.

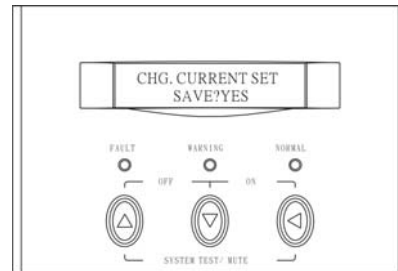


B. The cursor (→) will pop up to indicate the battery AH newly selected.



C. Use Up or Down-key to select the battery AH (100AH, 200AH, 300AH, 400AH, and 600AH selectable). Press Enter-key to confirm your battery AH.

D. Once the correct battery AH is selected, press Enter-key again to save the selection.



VI APPENDIX

6-1 Specification

Model		SP1200-SW SP1200-SR	SP2400-SW SP2400-SR	SP3600-SW SP3600-SR	
Capacity	VA / Watt	1.2KVA / 800W	2.4KVA / 1600W	3.6KVA / 2400W	
AC Input (from Grid)	Nominal Voltage	230Vac; 120Vac			
	Voltage Range	Acceptable Voltage Range	120-270Vac ; 60-135Vac		
		Frequency	50Hz / 60Hz (45Hz - 70Hz)		
		Line Low Transfer	120VAC ± 2% ; 60VAC ± 3%		
		Line Low Return	130VAC ± 2% ; 65VAC ± 3%		
		Line High Transfer	270VAC ± 2% ; 135VAC ± 3%		
		Line High Return	260VAC ± 2% ; 130VAC ± 3%		
DC Input (from Array)	Nominal Voltage	12V	24V	24V	
	Charge Voltage	13.8V	27.6V	27.6V	
	Solar Maximum Peak Voltage	25V	50V	50V	
	Start-up Voltage	12V	24V	24V	
	Polarity Protect	Yes	Yes	Yes	
	Backflow Protect	Yes	Yes	Yes	
(Solar Connector)	Maximum Current	50A			
	Maximum Voltage	600V			

Output	Voltage		230Vac (220V or 240VAC re-settable via LCD panel); 120Vac (110V or 115VAC re-settable via LCD panel)	
	Voltage Regulation (Batt. Mode)		< 3% RMS for entire battery voltage range	
	Frequency		50Hz or 60Hz	
	Frequency Regulation (Batt. Mode)		± 0.1Hz	
	Power Factor		0.67	
	Waveform		Pure Sinewave	
	Efficiency		> 75%	> 80%
	Protection	Overload	Line Mode	Circuit Breaker
		Battery Mode	110% ~ 150% for 30 sec. , >150% for 200ms	
Transfer Time	Typical		< 8 ms.	

Model		SP1200-SW SP1200-SR	SP2400-SW SP2400-SR	SP3600-SW SP3600-SR
Capacity	VA / Watt	1.2KVA / 800W	2.4KVA / 1600W	3.6KVA / 2400W
Battery	Battery Voltage	12Vdc	24Vdc	24Vdc
	Backup Time	Depends on System Load and Battery Capacity		
	Max. Charging Current (5 steps selectable)	40A	50A	
Display	LCD	UPS status, I/P&O/P Voltage Frequency, Load%, Battery Voltage & %, Charge current, Temperature, Model		
	LED	Normal (Green), Warning (Yellow), Fault (Red)		
Audible Alarm	Battery Mode	Beeping every 4 seconds		
	Low Battery	Beeping every second		
	UPS Fault	Beeping Continuously		
	Overload	Beeping twice per second		
Environment	Operation Temperature	0-40 degree C; 32-104 degree F		
	Relative Humidity	0-95% non-condensing		
Physical	Audible Noise	Less than 55dBA (at 1M)		
	Net/ Gross Weigh (Kgs) Wall Mounted	14/ 16	21/ 24.2	23/ 26
	Net/ Gross Weigh (Kgs) Rack Mount	15/ 17	19.4/ 21.4	25/ 27
	(W x H x D)mm Wall Mounted	298 x 150 x 400	298 x 190 x 450	298 x 190 x 450
	(W x H x D)mm Rack Mount	440 x 132 x 322	440 x 132 x 392	440 x 132 x 392
Accessory	RS232 or SNMP	Optional		

* Specifications are subjected to change without prior notice.

Model		SP5000-SW	SP6000-SW	SP8000-SW	
Capacity	VA / Watt	5KVA / 4000W	6KVA / 6000W	8KVA / 8000W	
AC Input (from Grid)	Nominal Voltage	230Vac; 120Vac		230Vac only	
	Voltage Range	Acceptable Voltage Range	120-270Vac ; 60-135Vac		120-270Vac
		Frequency	50Hz / 60Hz (45Hz - 70Hz)		50Hz / 60Hz (45Hz - 70Hz)
		Line Low Transfer	120VAC ± 2% ; 60VAC ± 3%		120VAC ± 2%
		Line Low Return	130VAC ± 2% ; 65VAC ± 3%		130VAC ± 2%
		Line High Transfer	270VAC ± 2% ; 135VAC ± 3%		270VAC ± 2%
		Line High Return	260VAC ± 2% ; 130VAC ± 3%		260VAC ± 2%
DC Input (from Array)	Nominal Voltage	24.0V	48.0V	48.0V	
	Charge Voltage	27.6V	55.2V	55.2V	
	Solar Maximum Peak Voltage	50V	100V	100V	
	Start-up Voltage	24V	44V	44V	
	Polarity Protect	Yes	Yes	Yes	
	Backflow Protect	Yes	Yes	Yes	
(Solar Connector)	Maximum Current	50A			
	Maximum Voltage	600V			

Output	Voltage		230Vac (220V or 240VAC re-settable via LCD panel); 120Vac (110V or 115VAC re-settable via LCD panel)	230Vac
	Voltage Regulation (Batt. Mode)		< 3% RMS for entire battery voltage range	
	Frequency		50Hz or 60Hz	
	Frequency Regulation (Batt. Mode)		± 0.1Hz	
	Power Factor		0.8	1.0
	Waveform		Pure Sinewave	
	Efficiency		> 80%	
	Overload Protection	Line Mode	Circuit Breaker	
Battery Mode		110% ~ 150% for 30 sec. , >150% for 200ms		
Transfer Time	Typical		< 8 ms.	

		SP5000-SW	SP6000-SW	SP8000-SW
Capacity	5KVA / 4000W	5KVA / 4000W	6KVA / 6000W	8KVA / 8000W
Battery	Battery Voltage	24Vdc	48Vdc	
	Backup Time	Depends on System Load and Battery Capacity		
	Max. Charging Current (5 steps selectable)	50A	60A	
Display	LCD	UPS status, I/P&O/P Voltage Frequency, Load%, Battery Voltage & %, Charge current, Temperature, Model		
	LED	Normal (Green), Warning (Yellow), Fault (Red)		
Audible Alarm	Battery Mode	Beeping every 4 seconds		
	Low Battery	Beeping every second		
	UPS Fault	Beeping Continuously		
	Overload	Beeping twice per second		
Environment	Operation Temperature	0-40 degree C; 32-104 degree F		
	Relative Humidity	0-95% non-condensing		
Physical	Audible Noise	Less than 55dBA (at 1M)		
	Net/ Gross Weigh (Kgs) Wall Mounted	49.2/ 63	51.4/ 66.6	53.6/ 67.7
	(W x H x D)mm Wall Mounted	415 x 260 x 600	415 x 260 x 600	415 x 260 x 600
Accessory	RS232 or SNMP	Optional		

* Specifications are subjected to change without prior notice.

6-2 Trouble Shooting

No.	Solar SP STATUS	POSSIBLE CAUSE	ACTION
1	AC utility power is normal. The Solar SP is running normally, but the fault LED lights up. Buzzer beeps continuously.	Charger PCB is damaged. Fan is damaged. Unknown	Replace the charger PCB. Replace the fan. Restart the Solar SP.
2	AC utility power is normal but the Solar SP is overloaded. Warning LED lights up and buzzer beeps per second.	Overload 100%< load< 125%	Please reduce the critical load to <100%.
3	AC utility power is normal. Warning LED does not fade out and buzzer beeps per 0.5 second.	Overload 125%< load<150%	Please reduce the critical load to <100%.
4	AC utility power is normal. Warning LED lights up and buzzer beeps continuously.	Overload 150%< load	Please reduce the critical load to <100%.
5	AC utility power fails .The load is supplied by battery power. Buzzer alarm sounds every 4 seconds.	AC utility power failure. AC input connection may be not correct.	1. Reduce the less critical load in order to extend backup time. 2. Please check the rated input or connected line.
6	AC utility fails. The Solar SP is in battery backup mode. Buzzer alarm beeps every second.	Battery power is approaching low level.	The Solar SP will shut down automatically. Please save data or turn off the loads soon.
7	AC utility power fails. The Solar SP has shut down automatically.	Battery runs out	The Solar SP will restart up when AC utility power is restored.



(Section 2)

SP UPS Manual

CONTENTS

1. INTRODUCTION	1
2. SAFTY INSTRUCTION.....	2
3. CABLE CONNECTION.....	4
4. SYSTEM DESCRIPTION.....	5
5. UPS OPERATION	11
6. TROUBLE SHOOTING GUIDE.....	16
7. OPERATION MODES OF THE UPS	18
8. SPECIFICATION OF SP UPS.....	19

1. INTRODUCTION

1.1 General Description

The SP UPS, a powerful all-in-one solution, delivers unsurpassed clean true sine wave output power and combines this with a selectable multistage battery charging current. Applicable for any kind of loads such as air conditioner, home appliances, consumer electronic and office equipments. This series features a durable&continuous 24 operation.

The built-in 5-stage intelligent charger automatically charges any type of batteries without the risk of overcharge. The compact&modular design makes utility interactive installations easier and more cost effective. It is a high quality product that offers the best price/performance ratio in the industry.

1.2 Key features

1. Multiple microprocessor design base.
2. Compatible with both linear&non-linear load.
3. Stronger charger to support batteries of up to 600AH.
4. 24 hours operation on the inverter.
5. DC start and automatic self-diagnostic function.
6. THD less than 3%.
7. High efficiency design to save electricity.
8. Low heat dissipation in long time operation
9. Design to operate under harsh environment
- 10 3U 19” Rack Mount or WALL Mounted design
11. Detachable front panel

1.3 Important Notices

1. Read instructions carefully before operating the UPS.
2. UPS power connect instruction should be followed.
3. Please don't open the case to prevent danger.
5. Retain the load within the rating of UPS to prevent faults.
6. Keep the UPS clean and dry.

2. SAFTY INSTRUCTION

2.1 Transporting

1. Disconnect all power cables if necessary.
2. Be careful not to damage the UPS while transporting.
3. Don't move the UPS upside down.
4. Please transport the UPS system only in the original packaging (to protect against shock and impact).

2.2 Positioning

1. Do not put the UPS on rugged or declined surface.
2. Do not install the UPS system near water or in damp environments.
3. Do not install the UPS system where it would be exposed to direct sunlight or near heat.
4. Do not block off ventilation openings in the UPS system's housing and don't leave objects on the top of the UPS.
5. Keep the UPS far away from heat emitting sources.
6. Do not expose it to corrosive gas.
7. Ambient temperature : 0°C - 40°C

2.3 Installation

1. Connect the UPS system only to an earthed shockproof socket outlet.
2. Place cables in such a way that no one can step on or trip over them.

2.4 Operation

1. Do not disconnect the mains cable on the UPS system or the building wiring socket outlet during operations since this would cancel the protective earthing of the UPS system and of all connected loads.
2. The UPS has its own internal power source (batteries). The output terminals may be live even when the UPS is not connected to the AC supply.
3. Ensure that no fluids or other foreign objects can enter the UPS system.

2.5 Maintenance and Service

1. Caution - risk of electric shock.

Even after the unit is disconnected from the mains power supply (building wiring socket outlet), components inside the UPS system are still connected to the battery and are still electrically live and dangerous. Before carrying out any kind of servicing and/or maintenance, disconnect the batteries and verify that no current is present.

2. Batteries may cause electric shock and have a high short-circuit current. Please take the precautionary measures specified below and any other measures necessary when working with batteries:

- remove wristwatches, rings and other metal objects
- use only tools with insulated grips and handles.

3. CABLE CONNECTION

3.1 Inspection

1. The system may be installed and wired only by qualified electricians in accordance with applicable safety regulations.
2. When installing the electrical wiring, please note the nominal amperage of your incoming feeder.
3. Inspect the packaging carton and its contents for damage. Please inform the transport agency immediately should you find signs of damage. Please keep the packaging in a safe place for future use.
4. Please ensure that the incoming feeder is isolated and secured to prevent it from being switched back on again.

3.2 Connection

1. UPS Input Connection

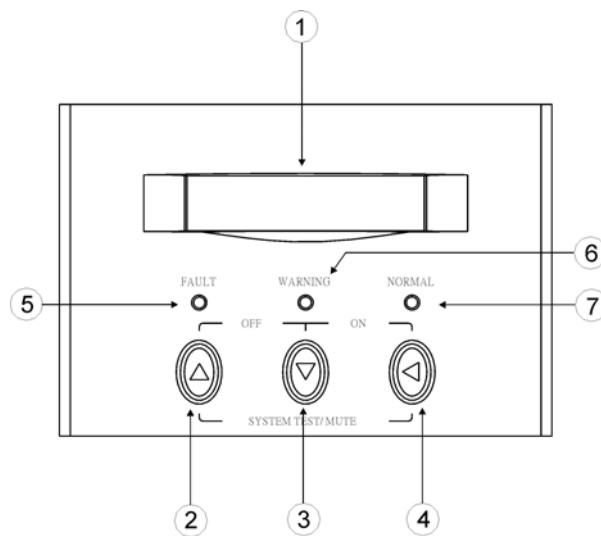
If the UPS is connected via the power cord, please use a proper socket with protection against electric current, and pay attention to the capacity of the socket.

2. UPS Output Connection

The output of this model is with socket-types only (NEMA or IEC). Simply plug the load power cord to the output sockets to complete connection.

4. SYSTEM DESCRIPTION

4.1 Front Panel Description for LCD Model

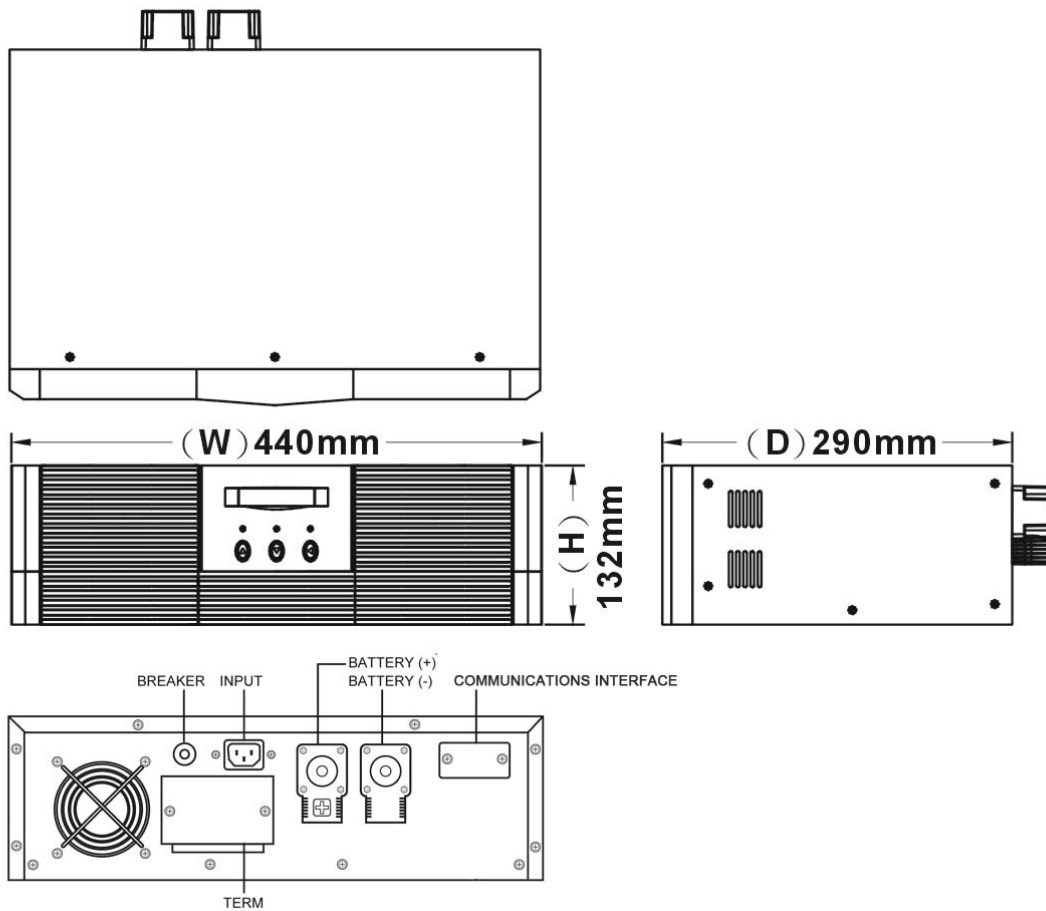


1. LCD Display: This indicates the UPS operation information, including UPS status, input/output voltage, input/output frequency, battery voltage, battery capacity left, output load, inside temperature, and the times of history events.
2. Up-key: Use to select upward the UPS status on LCD Display.
3. Down-key: Use to select downward the UPS status on LCD Display. Beside, press it simultaneously with the Up-key to switch off the UPS.
4. Enter-Key: It is pressed with the Down-key to turn on the UPS. In battery operation mode, press it with Up-key at the same time to disable the buzzer. Beside, it is pressed to confirm and enter the item selected.
5. Fault LED (red): To indicate the UPS is in fault condition because of inverter shutdown or over-temperature.

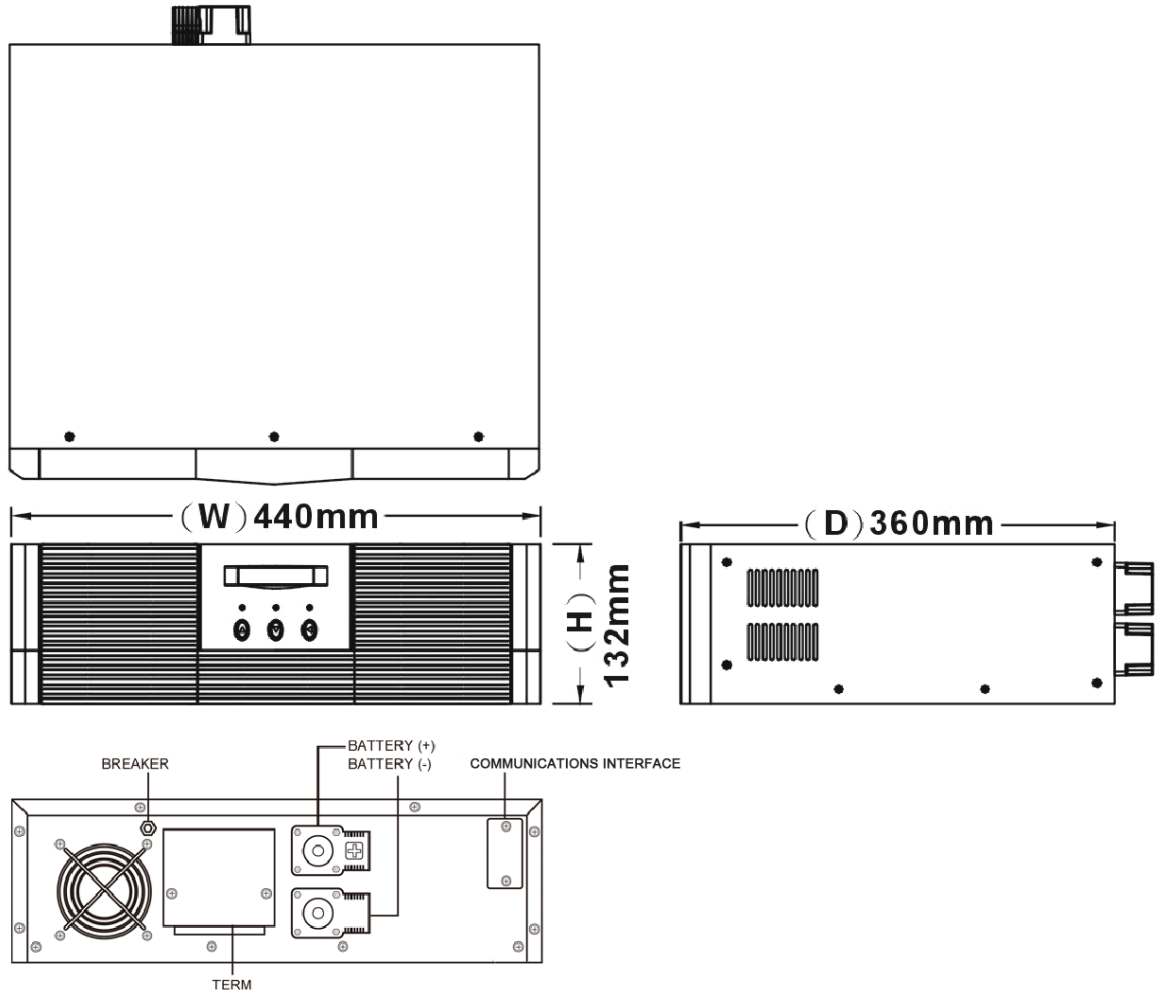
6. Warning LED (yellow): To indicate the UPS is in the status of overload, bypass and battery back-up.
7. Normal LED (green): To indicate the UPS is operating normally.
8. ON/TEST/MUTE key: It should be pressed with the control key simultaneously to switch on UPS, do UPS auto-test in normal AC mode and turn off the buzzer in battery operation.

4.2 Outline Description

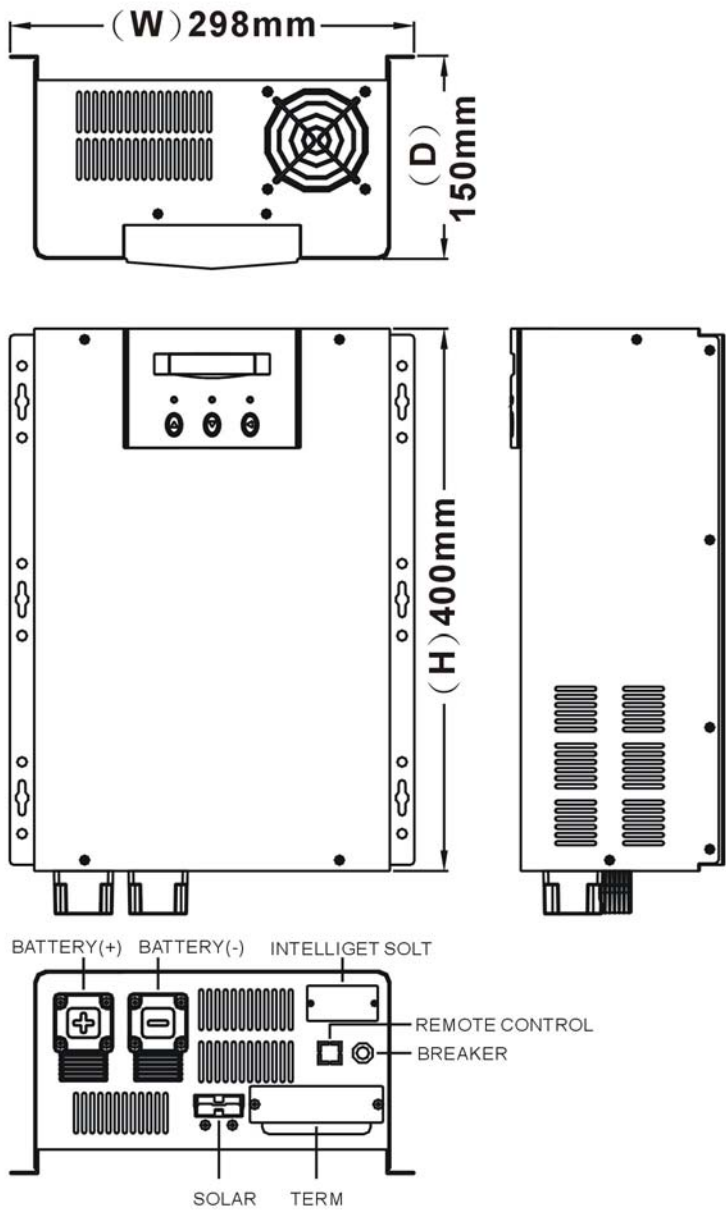
1.2KVA Rack Mount Type



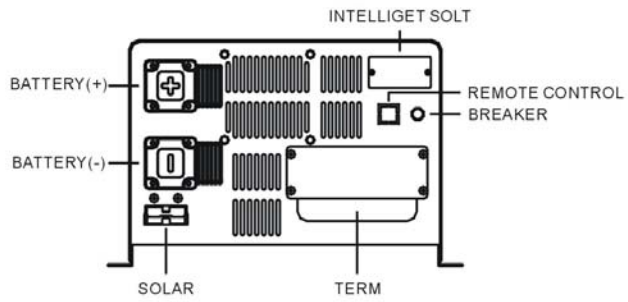
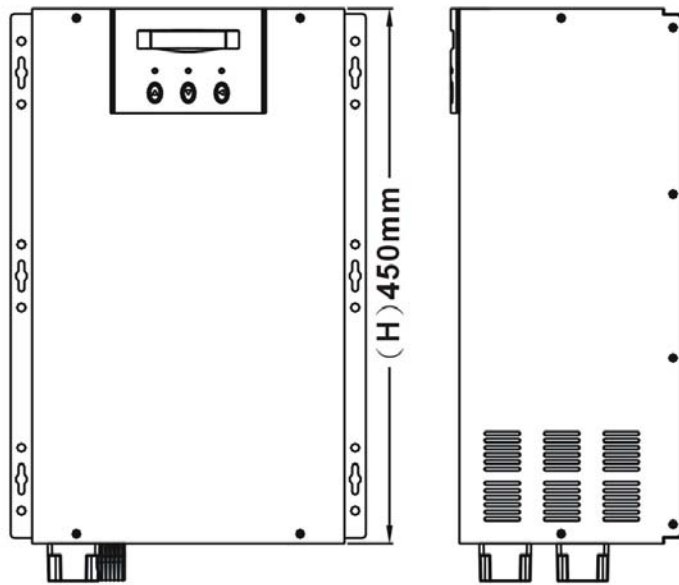
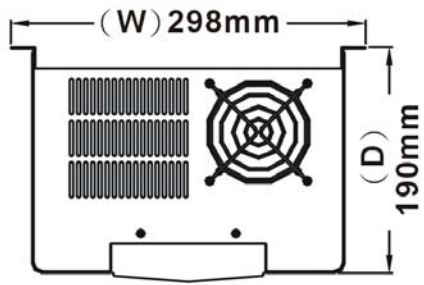
2.4KVA / 3.6KVA Rack Mount Type



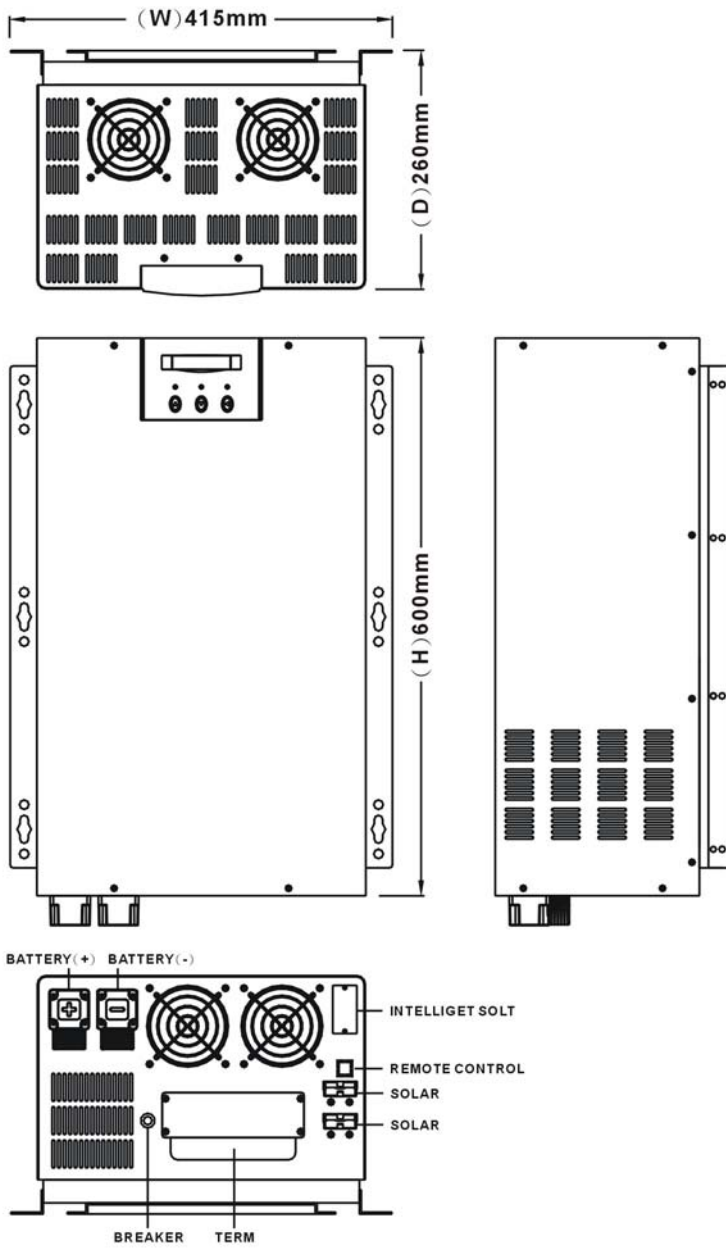
1.2KVA Wall Mounted Type



2.4KVA / 3.6KVA Wall Mounted Type



5KVA / 6KVA / 8KVA Wall Mounted Type



5. UPS OPERATION

5.1 Check Prior to Start Up

1. Ensure the UPS is in a suitable positioning.
2. Check input cord is secured.
3. Make sure the load is disconnected or in the “OFF” position.
4. Check if input voltage meets the UPS rating required.

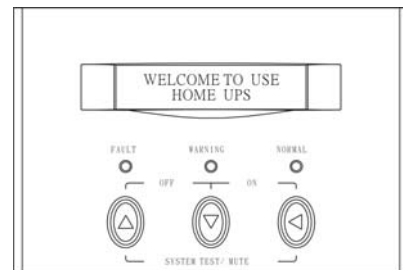
5.2 Storage Instruction

Disconnect input power in rear panel if you will not use it for long period. If the UPS is stored over 3 months, please keep supplying power to the UPS for at least 24 hours to ensure battery fully recharged.

5.3 Operation Procedure for LCD Model

Please follow the instructions below for UPS operation.

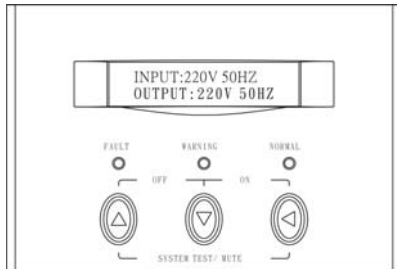
1. Once the AC source is connected, the LCD Display shall light up immediately to display first the main menu of greeting context and the Normal LED is blinking to indicate ready to switch on the inverter.
2. By pressing the Enter-key and the Down-key simultaneously for 3 seconds, the UPS will start up after two beeps and Normal LED lights up to indicate the power is from its inverter to the load.
3. When the Down-key and the Up-key are pressed simultaneously for 3 seconds, the inverter will be turned off after two beeps and the UPS is on the standby status (LCD display illuminates and Normal LED is blinking) until AC source is disconnected.



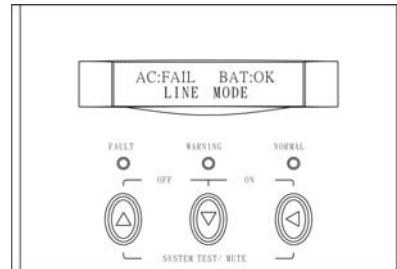
4. LCD Display Menu

Use Up/Down key to select menu-displays of the LCD described below. This screen will refresh once the system power is enabled.

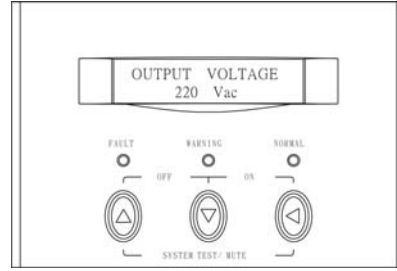
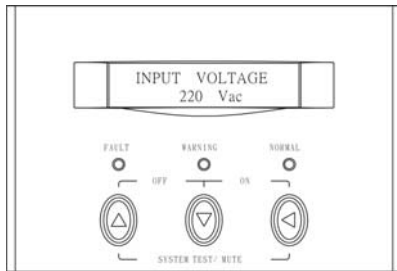
Rated Spec



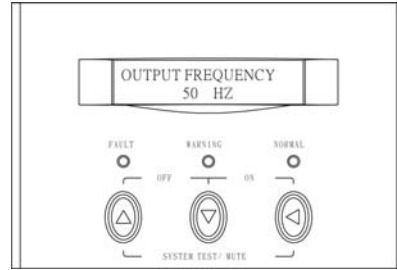
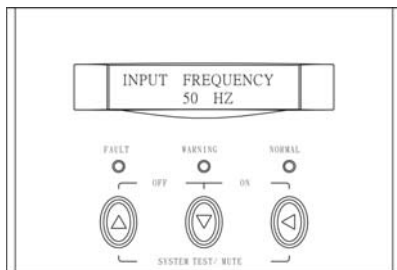
Status



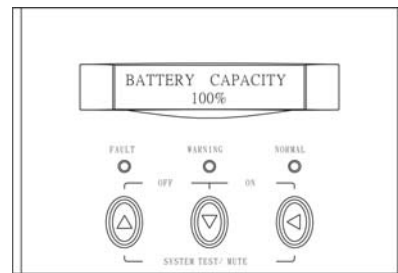
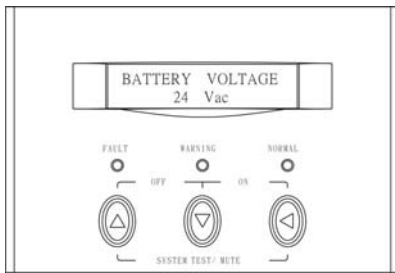
Voltage



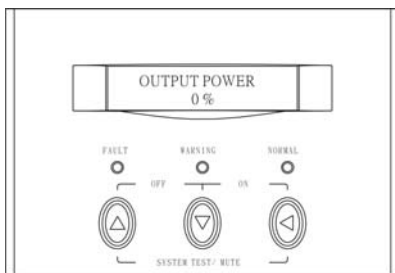
Frequency



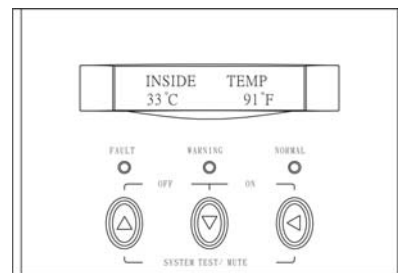
Battery Status



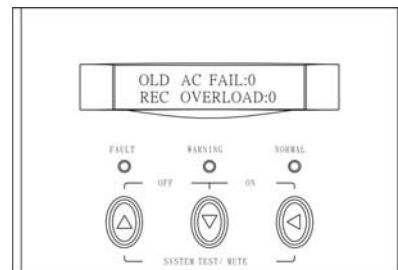
Output Power



Temperature

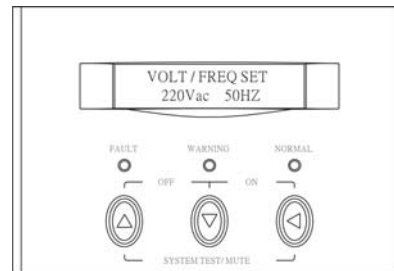


History Record

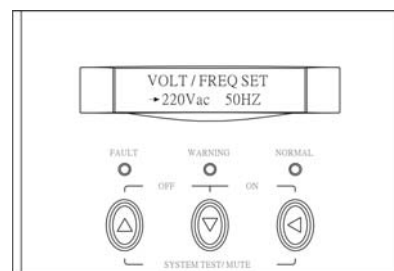


Output Voltage & Frequency Adjust

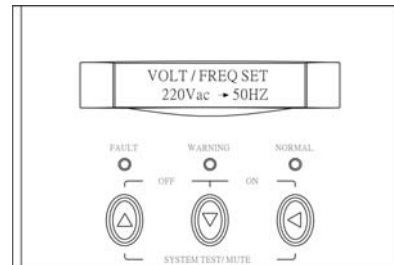
- A. In this screen, press Enter-key to enter the following steps for output voltage and frequency adjustment.



- B. The cursor (→) will pop up to indicate the output voltage and frequency newly selected.



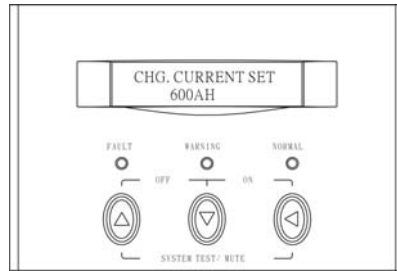
- C. Use Up or Down-key to adjust the output voltage (if 220V configure, 220V, 230V, and 240V is selectable; if 110V configure, 110V, 115V, and 120V is selectable). Press Enter-key to confirm voltage and then the cursor will move to frequency selection. The output frequency (50Hz or 60Hz) can be adjusted by the same key operation.



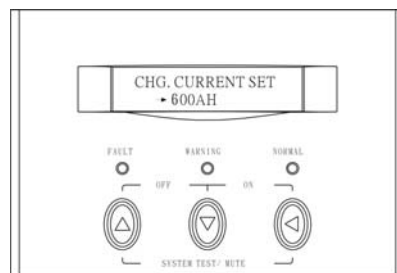
- D. Once the correct voltage is selected, press Enter-key again to save the selection.

Charging Current Adjust

- A. In this screen, press Enter-key to enter the following steps for general battery AH adjustment.

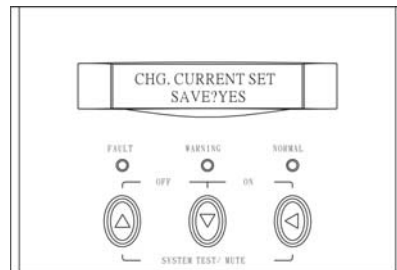


- B. The cursor (→) will pop up to indicate the battery AH newly selected.



- C. Use Up or Down-key to select the battery AH (100AH, 200AH, 300AH, 400AH, and 600AH selectable). Press Enter-key to confirm your battery AH.

- D. Once the correct battery AH is selected, press Enter-key again to save the selection.



6. TROUBLE SHOOTING GUIDE

6.1 For LCD Model

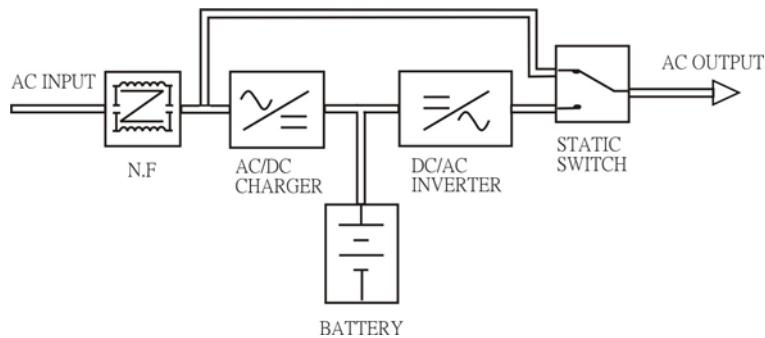
The following guideline may be helpful for basic problem solving.

No.	UPS STATUS	POSSIBLE CAUSE	ACTION
1	AC utility power is normal. UPS is running normally, but fault LED lits up. Buzzer beeps continuously.	1. Charger PCB is damaged. 2. Fan is damaged. 3. Unknown	1. Replace the charger PCB. 2. Replace the fan. 3. Restart UPS
3	AC utility power is normal but UPS is overloaded. Warning LED lits up and buzzer beeps per second.	Overload $100% < \text{load} < 125%$	Please reduce the critical load to $<100%$.
4	AC utility power is normal. Warning LED does not fade out and buzzer beeps per 0.5 second.	Overload $125% < \text{load} < 150%$	Please reduce the critical load to $<100%$.
5	AC utility power is normal. Warning LED lits up and buzzer beeps continuously.	Overload $150% < \text{load}$	Please reduce the critical load to $<100%$.

No.	UPS STATUS	POSSIBLE CAUSE	ACTION
6	AC utility power fails .The load is supplied by battery power. Buzzer alarm sounds every 4 seconds.	<ol style="list-style-type: none"> 1. AC utility power failure. 2. AC input connection may be not correct. 	<ol style="list-style-type: none"> 1. Reduce the less critical load in order to extend backup time. 2. Please check the rated input or connected line.
7	AC utility fails. UPS is in battery backup mode. Buzzer alarm beeps every second.	Battery power is approaching low level.	UPS will shut down automatically. Please save data or turn off the loads soon.
8	AC utility power fails. UPS has shut down automatically.	Battery runs out	UPS will restart up when AC utility power is restored.

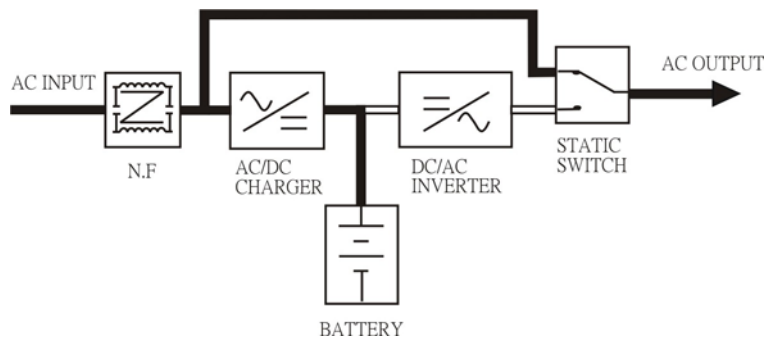
7. OPERATION MODES OF THE UPS

7.1 UPS System Block Diagram



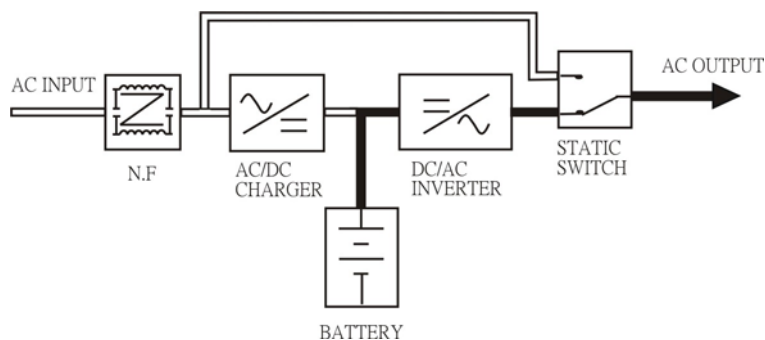
7.2 Normal Operation

There are two main loops when AC utility is normal: the AC loop and the battery charging loop. The AC output power comes from AC utility input and passes through static switch to support power to load. The battery charging voltage comes from AC utility input and converted by AC/DC charger to support battery-charging power.



7.3 AC Utility Failure (Battery Mode)

The AC output comes from battery, passing through DC/AC inverter and static switch within the battery backup time.



8. SPECIFICATION OF SP UPS

Model		SP1200-UR SP1200-UW	SP2400-UR SP2400-UW	SP3600-UR SP3600-UW	
Capacity	VA / Watt	1.2KVA / 800W	2.4KVA / 1600W	3.6KVA / 2400W	
Input	Nominal Voltage		220Vac; 110Vac		
	Voltage Range	Acceptable Voltage Range	120-275Vac ; 90-135Vac		
		Frequency	50Hz / 60Hz (45Hz - 70Hz)		
		Line Low Transfer	120VAC \pm 2% ; 90VAC \pm 3%		
		Line Low Return	130VAC \pm 2% ; 95VAC \pm 3%		
		Line High Transfer	275VAC \pm 2% ; 135VAC \pm 3%		
		Line High Return	260VAC \pm 2% ; 130VAC \pm 3%		
Output	Voltage		220Vac (230V or 240VAC re-settable via LCD panel); 110Vac (115V or 120VAC re-settable via LCD panel)		
	Voltage Regulation (Batt. Mode)		< 3% RMS for entire battery voltage range		
	Frequency		50Hz or 60Hz		
	Frequency Regulation (Batt. Mode)		\pm 0.1Hz		
	Power Factor		0.8		
	Waveform		Pure Sinewave		
	Efficiency		> 75%	> 80%	
	Overload Protection	Line Mode	Circuit Breaker		
Battery Mode		110% ~ 150% for 30 sec. , >150% for 200ms			
Transfer Time	Typical	< 8 ms.			

Model		SP1200-UR SP1200-UW	SP2400-UR SP2400-UW	SP3600-UR SP3600-UW
Capacity	VA / Watt	1.2KVA / 800W	2.4KVA / 1600W	3.6KVA / 2400W
Battery	Battery Voltage	12Vdc	24Vdc	24Vdc
	Backup Time (at full load)	long time available		
	Max. Charging Current (5 steps selectable)	40A	50A	
Display LCD	LCD	UPS status, I/P&O/P Voltage Frequency, Load%, Battery Voltage & %, Charge current, Temperature, Model		
	LED	Normal (Green), Warning (Yellow), Fault (Red)		
Audible Alarm	Battery Mode	Beeping every 4 seconds		
	Low Battery	Beeping every second		
	UPS Fault	Beeping Continuously		
	Overload	Beeping twice per second		
Environment	Operation Temperature	0-40 degree C; 32-104 degree F		
	Relative Humidity	0-95% non-dondensing		
	Audible Noise	Less than 55dBA (at 1M)		
Physical	Net/ Gross Weigh (Kgs) Wall Mounted	14/ 16	21/ 24.2	23/ 26
	Net/ Gross Weigh (Kgs) Rack Mount	15/ 17	19.4/ 21.4	25/ 27
	(W x H x D)mm Wall Mounted	298 x 150 x 400	298 x 190 x 450	298 x 190 x 450
	(W x H x D)mm Rack Mount	440 x 132 x 322	440 x 132 x 392	440 x 132 x 392

- Specifications are subjected to change without prior notice.

Model		SP5000-UW	SP6000-UW	SP8000-UW	
Capacity	VA / Watt		5KVA / 4000W	6KVA / 6000W	8KVA / 8000W
Input	Nominal Voltage		220Vac; 110Vac		220Vac only
	Voltage Range	Acceptable Voltage Range	120-275Vac ; 90-135Vac		120-275Vac
		Frequency	50Hz / 60Hz (45Hz - 70Hz)		50Hz / 60Hz (45Hz - 70Hz)
		Line Low Transfer	120VAC \pm 2% ; 90VAC \pm 3%		120VAC \pm 2%
		Line Low Return	130VAC \pm 2% ; 95VAC \pm 3%		130VAC \pm 2%
		Line High Transfer	275VAC \pm 2% ; 135VAC \pm 3%		275VAC \pm 2%
		Line High Return	260VAC \pm 2% ; 130VAC \pm 3%		260VAC \pm 2%
Output	Voltage		220Vac (230V or 240VAC re-settable via LCD panel); 110Vac (115V or 120VAC re-settable via LCD panel)		
	Voltage Regulation (Batt. Mode)		< 3% RMS for entire battery voltage range		
	Frequency		50Hz or 60Hz		
	Frequency Regulation (Batt. Mode)		\pm 0.1Hz		
	Power Factor		0.8	1.0	
	Waveform		Pure Sinewave		
	Efficiency		> 80%		
	Overload Protection	Line Mode	Circuit Breaker		
Battery Mode		110% ~ 150% for 30 sec. , >150% for 200ms			
Transfer Time	Typical		< 8 ms.		

Model		SP5000-UW	SP6000-UW	SP8000-UW
Capacity	VA / W	5KVA / 4000W	6KVA / 6000W	8KVA / 8000W
Battery	Battery Voltage	24Vdc	48Vdc	
	Backup Time (at full load)	long time available		
	Max. Charging Current (5 steps selectable)	50A	60A	
Display LCD	LCD	UPS status, I/P&O/P Voltage Frequency, Load%, Battery Voltage & %, Charge current, Temperature, Model		
	LED	Normal (Green), Warning (Yellow), Fault (Red)		
Audible Alarm	Battery Mode	Beeping every 4 seconds		
	Low Battery	Beeping every second		
	UPS Fault	Beeping Continuously		
	Overload	Beeping twice per second		
Environment	Operation Temperature	0-40 degree C; 32-104 degree F		
	Relative Humidity	0-95% non-dondensing		
	Audible Noise	Less than 55dBA (at 1M)		
Physical	Net/ Gross Weigh (Kgs) Wall Mounted	49.2/ 63	51.4/ 66.6	53.6/ 67.7
	(W x H x D)mm Wall Mounted	415 x 260 x 600	415 x 260 x 600	415 x 260 x 600

- Specifications are subjected to change without prior notice.